

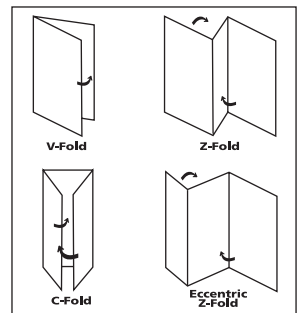
PS25 - Desktop Pressure Seal System

InfosealsPS



The PS25 is the ultimate pressure seal machine for the small to medium sized office. It operates "in-line" with many table top printers or as a stand-alone unit. The PS25 provides economy, as well as durability, speed, and a secure seal normally only found in larger units. It is extremely easy to operate with double document detection, resettable counter and a clam shell design which allows easy access to fold plates.

By operating "in-line" documents are folded and sealed as they are printed. This provides added security and eliminates the handling step from printer to folder/sealer. The system utilizes standard pressure seal documents, and is compatible with any brand of pressure seal form.



Technical Specification

Processing speed	3,400 / hour
Feeder capacity	150
Form size	8 1/2" x 11 or 8 1/2" x 14
Fold configurations	11" Z, 11" V, 11"C, 14" Z or 14" EZ
Value Added Features	Resettable Counter, Double Document Detection
Paper weights	Max. 28 lb
Sealer	solid steel roller system
Color	Light grey
Size	W 16-1/2" x L 12 1/2" x H 15 1/2"
Weight	84 lbs.
Power	115v 2.5A
Warranty	90 days
Compliance	CE Approved

Compatible with a large variety of Laser Printers